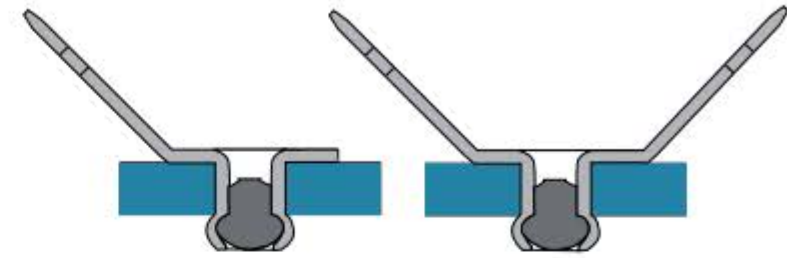
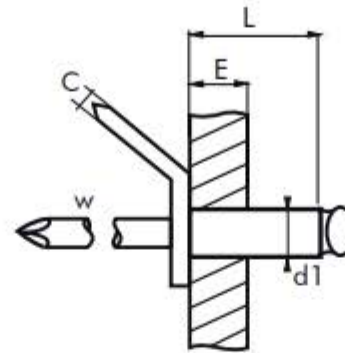
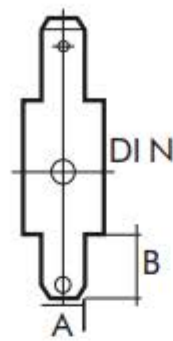

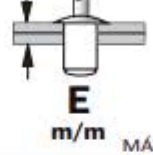


BRASS MASS-RIVET

COPPER/STEEL

HEAD MASS-RIVET: Brass
 MANDREL: Coppered Steel

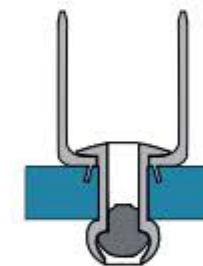
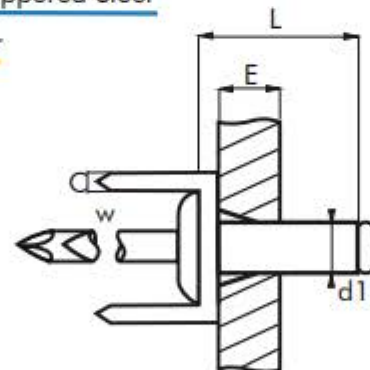



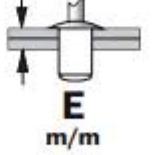
d1 Ø m/m	L Nominal m/m	 m/m	A m/m	B m/m	C m/m	W Ø m/m	PACKAGING		 E m/m MÁX.	REFERENCE
							Inner	Outer		
4,0	7,0	4,10	6,30	8,50	0,80	2,40	250	1.500	4,0	01910004007
							250	1.500	4,0	01920004007

1 TAB
2 TAB



MASS-RIVET: Brass
 MANDREL: Coppered Steel
 HEAD: Copper



d1 Ø m/m	L Nominal m/m	 m/m	A m/m	B m/m	C m/m	W Ø m/m	PACKAGING		 E m/m	REFERENCE
							Inner	Outer		
3,8	8,0	5,20	6,30	7,80	0,80	2,25	250	1.500	1,2	01920003808

