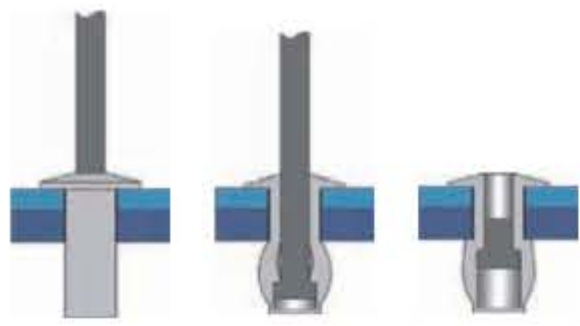
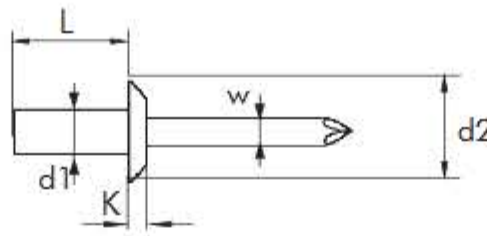


# ALUMINIUM/STEEL

## SEALED RIVET Dome head



BODY: Aluminium Al Mg 5  
MANDREL: Steel lubricated



UNE - EN ISO 15973

d1 Ø mm	L Nominal mm	mm	d2 Ø mm	K mm	W Ø mm	PACKAGING		MIN. E mm	MAX. E mm	(N)	(N)	REFERENCE
						Inner	Outer					
3,2	6,5	3,30	6,40	1,00	1,65	500	4.000	0,5 - 2,0	1100	1450	01110003206	
	8,0					500	4.000	2,0 - 3,5			01110003208	
	9,5					500	4.000	3,5 - 5,0			01110003209	
	11,0					500	4.000	5,0 - 6,5			01110003211	
	12,5					500	4.000	6,5 - 8,0			01110003212	
4,0	8,0	4,10	7,90	1,40	2,20	500	4.000	0,5 - 3,5	1600	2200	01110004008	
	9,5					500	4.000	3,5 - 5,0			01110004010	
	11,0					500	4.000	5,0 - 6,5			01110004011	
	12,5					500	3.000	6,5 - 8,0			01110004013	
	14,5					500	3.000	8,0 - 10,0			01110004015	
4,8	8,5	4,90	9,30	1,70	2,65	500	3.000	0,5 - 3,5	2200	3100	01110004808	
	9,5					500	3.000	3,5 - 5,0			01110004810	
	11,0					500	3.000	5,0 - 6,5			01110004811	
	13,0					250	2.000	6,5 - 8,0			01110004813	
	14,5					250	2.000	8,0 - 9,5			01110004814	
	16,0					250	2.000	9,5 - 11,0			01110004816	
	18,0					250	1.500	11,0 - 13,0			01110004818	
	21,0					250	1.500	13,0 - 16,0			01110004821	
	25,0					200	1.200	16,0 - 20,0			01110004825	
6,4	12,5	6,50	12,50	2,40	3,60	250	1.500	1,5 - 6,5	3600	4900	01110006412	
	15,5					200	1.200	6,5 - 9,5			01110006415	

Tests according to EN ISO 14589

d1 Ø m/m	L Nominal m/m	PAINTED COLOURS REFERENCE		PACKAGING	
		Inner	Outer	Inner	Outer
3,2	6,5	01110	3206	500	4.000
	8,0	01110	3208	500	4.000
	9,5	01110	3209	500	4.000
	11,0	01110	3211	500	4.000
	12,5	01110	3212	500	4.000
4,0	8,0	01110	4008	500	4.000
	9,5	01110	4010	500	4.000
	11,0	01110	4011	500	4.000
	12,5	01110	4013	500	3.000
	14,5	01110	4014	500	3.000
4,8	8,5	01110	4808	500	3.000
	9,5	01110	4810	500	3.000
	11,0	01110	4811	500	3.000
	13,0	01110	4813	250	2.000
	14,5	01110	4814	250	2.000
	16,0	01110	4816	250	2.000
	18,0	01110	4818	250	1.500
	21,0	01110	4821	250	1.500
	25,0	01110	4825	200	1.200

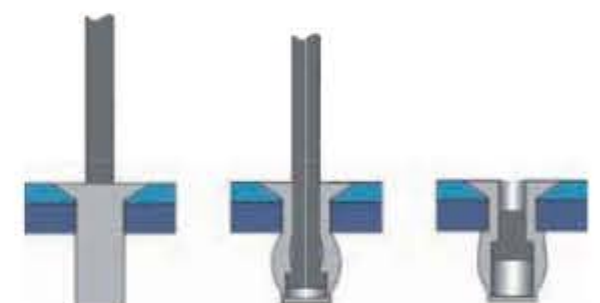
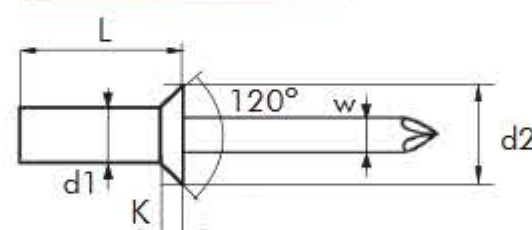


## SEALED RIVET Countersunk head 120°

# ALUMINIUM/STEEL



BODY: Aluminium Al Mg 5  
MANDREL: Steel lubricated



UNE - EN ISO 15974

d1 Ø mm	L Nominal mm	mm	d2 Ø mm	K mm	W Ø mm	PACKAGING		MIN. E mm	MAX. E mm	(N)	(N)	REFERENCE
						Inner	Outer					
4,8	10,0	4,90	9,50	1,80	2,65	500	3.000	4,5 - 6,0	2200	3100	01112004810	
	12,5					500	3.000	6,0 - 8,0			01112004813	
	14,5					250	2.000	8,0 - 10,0			01112004814	
	16,0					250	2.000	10,0 - 12,0			01112004816	
	22,0					250	1.500	13,0 - 18,0			01112004822	

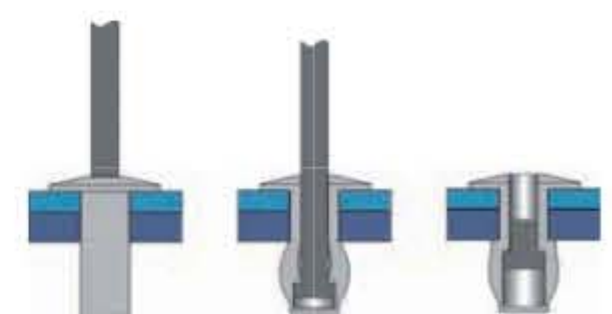
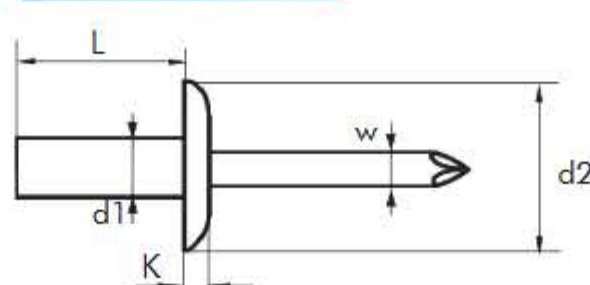
Tests according to EN ISO 14589

## SEALED RIVET Large head

# ALUMINIUM/STEEL



BODY: Aluminium Al Mg 5  
MANDREL: Steel lubricated



d1 Ø mm	L Nominal mm	mm	d2 Ø mm	K mm	W Ø mm	PACKAGING		MIN. E mm	MAX. E mm	(N)	(N)	REFERENCE
						Inner	Outer					
4,8	13,0	4,90	14,00	1,80	2,65	250	1.500	6,5 - 8,0	2200	3100	01120004813	
	18,0					200	1.200	11,0 - 13,0			01120004818	

Tests according to EN ISO 14589

