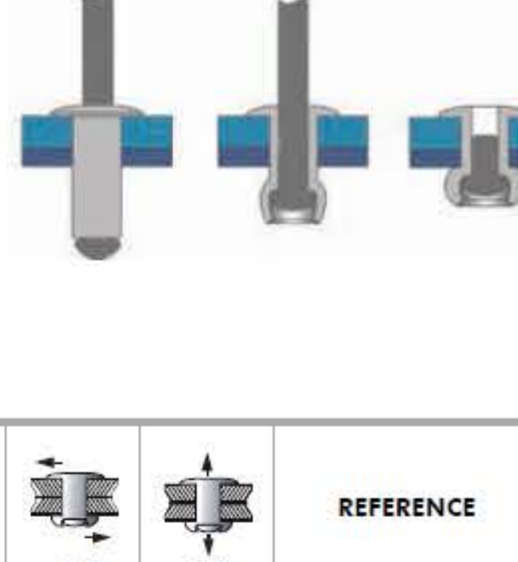
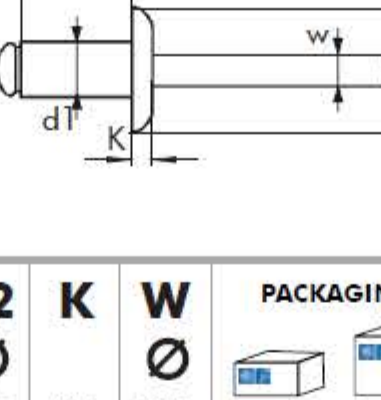


**STANDARD RIVET**  
Dome head

**ALUMINIUM/STEEL**

BODY: Aluminium Al Mg 3,5  
MANDREL: Steel Zincplated A1K



UNE - EN ISO 15977

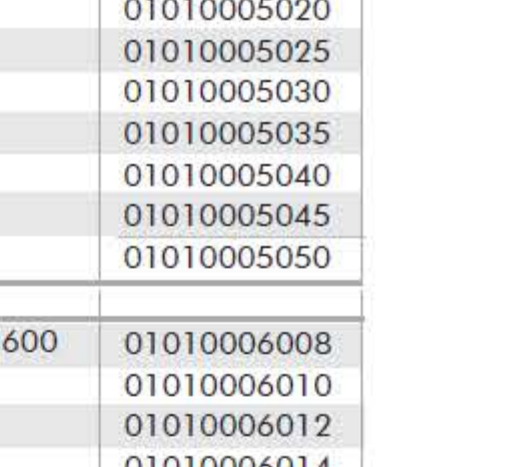
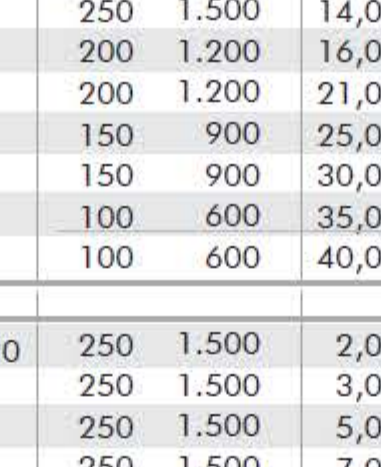
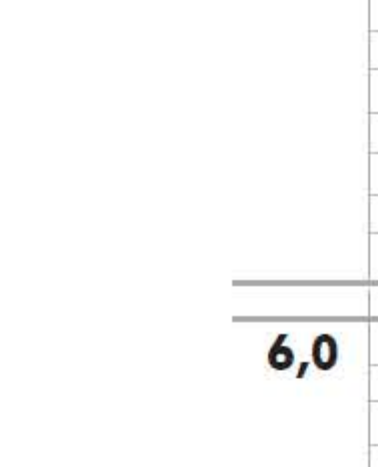
d1	L	d2	K	W	PACKAGING	E	REFERENCE		
mm	mm	mm	mm	mm	Inner Outer	mm MAX	(N) (N)		
2,4	4	2,50	5,00	0,60	1,45	1.000 8.000	0,5 - 2,0	350 550	01010002404 01010002406 01010002408 01010002410 01010002412
	6	3,10	6,00	1,00	1,80	500 4.000	0,5 - 1,5	550 850	01010003004 01010003005 01010003006
	7					500 4.000	1,5 - 4,5		01010003007
	8					500 4.000	3,5 - 5,0		01010003008
	10					500 4.000	6,0 - 8,0		01010003010
3,0	4	2,50	5,00	0,60	1,45	1.000 8.000	0,5 - 2,0	350 550	01010002404 01010002406 01010002408 01010002410 01010002412
	6	3,10	6,00	1,00	1,80	500 4.000	0,5 - 1,5	550 850	01010003004 01010003005 01010003006
	7					500 4.000	1,5 - 4,5		01010003007
	8					500 4.000	3,5 - 5,0		01010003008
	9					500 4.000	5,0 - 7,0		01010003009
	10					500 4.000	7,0 - 9,0		01010003010
	12					500 4.000	9,0 - 11,0		01010003012
	14					500 4.000	11,0 - 13,0		01010003014
3,2	4	2,50	5,00	0,60	1,45	1.000 8.000	0,5 - 2,0	350 550	01010002404 01010002406 01010002408 01010002410 01010002412
	6	3,10	6,40	1,00	1,80	500 4.000	0,5 - 1,5	750 1100	01010003204 01010003205
	5					500 4.000	1,5 - 2,5		01010003206
	6					500 4.000	3,5 - 5,0		01010003208
	8					500 4.000	5,0 - 7,0		01010003210
	10					500 4.000	7,0 - 9,0		01010003212
	12					500 4.000	9,0 - 12,0		01010003215
	15					500 4.000	12,0 - 15,0		01010003218
4,0	5	4,10	8,00	1,40	2,20	500 4.000	0,5 - 2,5	1250 1800	01010004005 01010004006 01010004007 01010004008
	6					500 4.000	3,0 - 4,5		01010004010
	7					500 4.000	3,0 - 4,5		01010004012
	8					500 4.000	3,0 - 4,5		01010004014
	10					500 4.000	4,5 - 6,0		01010004016
	12					500 3.000	6,5 - 8,5		01010004018
	14					500 3.000	8,5 - 10,5		01010004020
	16					500 3.000	10,5 - 12,5		01010004022
	18					500 3.000	12,5 - 14,5		01010004024
	20					500 3.000	14,5 - 16,5		01010004026
	25					250 1.500	16,5 - 21,0		01010004028
	30					250 1.500	21,0 - 26,0		01010004030
4,8	6	4,90	9,50	1,50	2,65	500 3.000	0,5 - 3,0	1850 2600	01010004806 01010004807 01010004808 01010004810 01010004812 01010004814 01010004816 01010004818 01010004820 01010004822 01010004824 01010004826 01010004828 01010004830
	8					500 3.000	3,0 - 4,5		01010004810
	10					500 3.000	4,5 - 6,0		01010004812
	12					500 3.000	6,0 - 8,0		01010004814
	14					250 2.000	8,0 - 10,0		01010004816
	16					250 2.000	10,0 - 12,0		01010004818
	18					250 1.500	12,0 - 14,0		01010004820
	20					250 1.500	14,0 - 17,0		01010004822
	24					200 1.200	17,0 - 20,0		01010004824
	27					200 1.200	20,0 - 23,0		01010004826
	30					200 1.200	23,0 - 25,0		01010004828
	35					150 900	25,0 - 30,0		01010004830

Tests according to EN ISO 14589

**STANDARD RIVET**  
Dome head

**ALUMINIUM/STEEL**

BODY: Aluminium Al Mg 3,5  
MANDREL: Steel Zincplated A1K



UNE - EN ISO 15977

d1	L	d2	K	W	PACKAGING	E	REFERENCE			
mm	mm	mm	mm	mm	Inner Outer	mm MAX	(N) (N)			
5,0	6	5,10	9,50	1,50	2,65	500 3.000	0,5 - 3,0	2150 3100	01010005006 01010005008 01010005010 01010005012 01010005014 01010005016 01010005018 01010005020 01010005022 01010005030 01010005035 01010005040 01010005045 01010005050	
	8					500 3.000	3,0 - 4,5		01010006010	
	10					500 3.000	4,5 - 6,0		01010006012	
	12					250 2.000	6,0 - 8,0		01010006014	
	14					250 2.000	8,0 - 10,0		01010006016	
	16					250 1.500	10,0 - 11,0		01010006018	
	18					250 1.500	11,0 - 13,0		01010006020	
	20					200 1.200	13,0 - 15,0		01010006022	
	25					150 900	16,0 - 20,0		01010006025	
	30					150 900	20,0 - 25,0		01010006030	
	35					100 600	25,0 - 30,0		01010006035	
	6,0	8	6,10	12,0	1,80	3,20	250 1.500	2,0 - 3,0	3200 4600	01010006008 01010006010 01010006012 01010006014 01010006016 01010006018 01010006020 01010006022 01010006025 01010006030 01010006035
		12					250 1.500	3,0 - 5,0		01010006010
		14					250 1.500	5,0 - 7,0		01010006012
		16					250 1.500	7,0 - 9,0		01010006014
18						250 1.500	9,0 - 11,0		01010006016	
20						200 1.200	11,0 - 13,0		01010006018	
25						150 900	13,0 - 15,0		01010006020	
30						150 900	16,0 - 20,0		01010006025	
35						100 600	20,0 - 25,0		01010006030	
40						100 600	25,0 - 30,0		01010006035	
6,4		12	6,50	13,0	2,20	3,60	250 1.500	3,0 - 6,0	3400 4850	01010006412 01010006415 01010006418 01010006422 01010006426 01010006430 01010006435 01010006450
		15					250 1.500	6,0 - 9,0		01010006412
	18					200 1.200	9,0 - 12,0		01010006418	
	22					200 1.200	12,0 - 16,0		01010006422	
	26					150 900	16,0 - 20,0		01010006426	
	30					150 900	20,0 - 24,0		01010006430	
	35					100 600	24,0 - 29,0		01010006435	
	40					500 3.000	29,0 - 42,0		01010006450	
	7,8	15	8,00	13,5	2,20	3,60	1.000 8.000	6,0 - 9,0	5000 7500	G1010007815 G1010007822
		22					1.000 8.000	9,0 - 16,0		

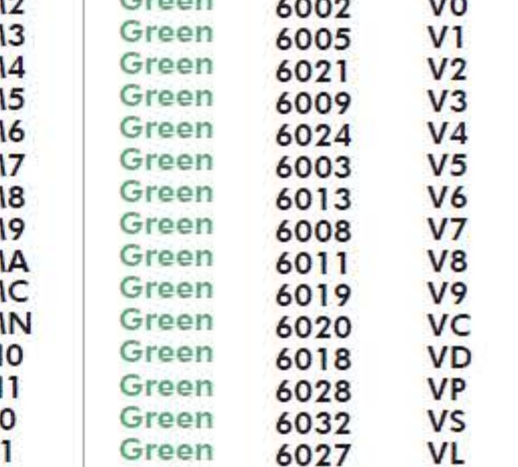
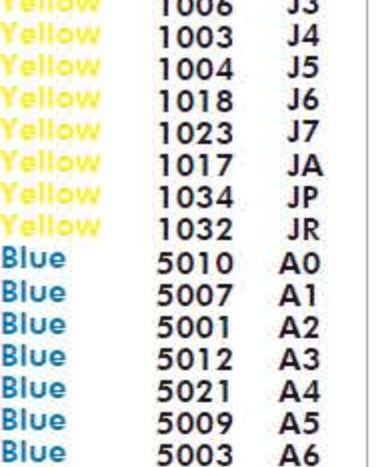
Tests according to EN ISO 14589

**STANDARD RIVET COLOUR**  
Dome head

**ALUMINIUM/STEEL**



BODY: Aluminium Al Mg 3,5  
MANDREL: Steel Zincplated A1K



UNE - EN ISO 15977

d1	L	PAINTED WHITE	PAINTED BLACK RAL 9005	REST OF THE PAINTED COLOURS	PACKAGING	E	REFERENCE	
mm	mm	REFERENCE	REFERENCE	REFERENCE	Inner Outer	mm MAX	(N) (N)	
2,4	4	01010BL2404	01010N02404	01010 2404	1.000 8.000	0,5 - 2,0	350 550	
	6	01010BL2406	01010N02406	01010 2406	1.000 8.000	3,0 - 4,5		
	8	01010BL2408	01010N02408	01010 2408	1.000 8.000	4,5 - 6,0		
3,2	5	01010BL3205	01010N03205	01010 3205	500 4.000	0,5 - 3,0	1850 2600	
	6	01010BL3206	01010N03206	01010 3206	500 4.000	3,0 - 4,5		
	8	01010BL3208	01010N03208	01010 3208	500 4.000	4,5 - 6,0		
	10	01010BL3210	01010N03210	01010 3210	500 4.000	6,0 - 8,0		
	12	01010BL3212	01010N03212	01010 3212	500 4.000	8,0 - 10,0		
	15	01010BL3215	01010N03215	01010 3215	500 4.000	10,0 - 12,0		
	18	01010BL3218	01010N03218	01010 3218	500 4.000	12,0 - 15,0		
	20	01010BL3220	01010N03220	01010 3220	500 4.000	14,0 - 17,0		
4,0	6	01010BL4006	01010N04006	01010 4006	500 4.000	0,5 - 3,0	1850 2600	
	7	01010BL4007	01010N04007	01010 4007	500 4.000	3,0 - 4,5		
	8	01010BL4008	01010N04008	01010 4008	500 4.000	4,5 - 6,0		
	10	01010BL4010	01010N04010	01010 4010	500 4.000	6,0 - 8,0		
	12	01010BL4012	01010N04012	01010 4012	500 4.000	8,0 - 10,0		
	14	01010BL4014	01010N04014	01010 4014	500 4.000	10,0 - 12,0		
	16	01010BL4016	01010N04016	01010 4016	500 3.000	12,0 - 14,0		
	18	01010BL4018	01010N04018	01010 4018	500 3.000	14,0 - 17,0		
	20	01010BL4020	01010N04020	01010 4020	500 3.000	17,0 - 20,0		
	25	01010BL4025	01010N04025	01010 4025	250 1.500	20,0 - 25,0		
	30	01010BL4030	01010N04030	01010 4030	250 1.500	25,0 - 30,0		
	4,8	6	01010BL4806	01010N04806	01010 4806	500 3.000	0,5 - 3,0	1850 2600
		8	01010BL4808	01010N04808	01010 4808	500 3.000	3,0 - 4,5	
		10	01010BL4810	01010N04810	01010 4810	500 3.000	4,5 - 6,0	
		12	01010BL4812	01010N04812	01010 4812	500 3.000	6,0 - 8,0	
14		01010BL481						