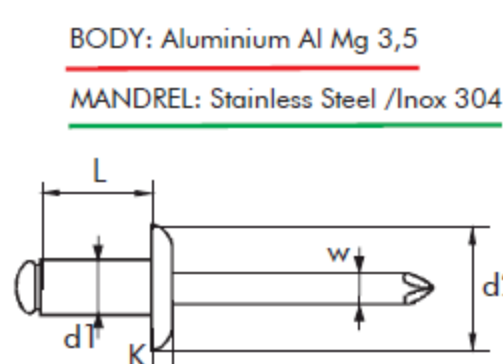
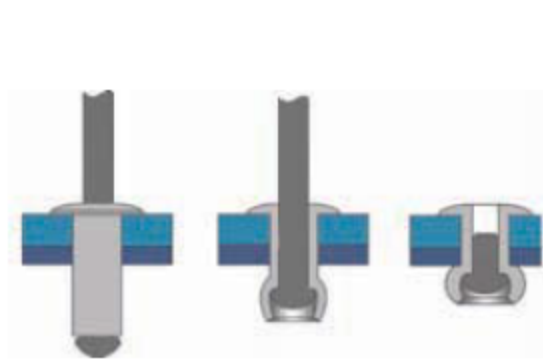


ALUMINIUM/STAINLESS STEEL A2

STANDARD RIVET
Dome head



d1 Ø m/m	L Nominal m/m	d2 Ø m/m	K m/m	W m/m	PACKAGING		MIN m/m	E m/m	MAX. (N)	(N)	REFERENCE	
					Inner	Outer						
2,4	4	2,50	5,00	0,60	1,45	1.000	8.000	0,5 - 2,0	350	550	01019002404	
	5					1.000	8.000	2,0 - 4,0			01019002405	
	6					1.000	8.000	2,5 - 4,0			01019002406	
	8					1.000	8.000	4,0 - 6,0			01019002408	
	10					1.000	8.000	6,0 - 8,0			01019002410	
3,0	8	3,10	6,00	1,00	1,80	500	4.000	3,5 - 5,0	550	850	01019003008	
3,2	6	3,30	6,40	1,00	1,80	500	4.000	1,5 - 3,5	750	1100	01019003206	
	8					500	4.000	3,5 - 5,0			01019003208	
	10					500	4.000	5,0 - 7,0			01019003210	
	12					500	4.000	7,0 - 9,0			01019003212	
	15					500	4.000	9,0 - 12,0			01019003215	
	18					500	4.000	12,0 - 15,0			01019003218	
	20					500	4.000	15,0 - 17,0			01019003220	
4,0	6	4,10	8,00	1,40	2,20	500	4.000	1,0 - 3,0	1250	1800	01019004006	
	8					500	4.000	3,0 - 5,0			01019004008	
	10					500	4.000	5,0 - 6,5			01019004010	
	12					500	3.000	6,5 - 8,5			01019004012	
	14					500	3.000	8,5 - 10,5			01019004014	
	16					500	3.000	10,5 - 12,5			01019004016	
	18					500	3.000	12,5 - 14,5			01019004018	
	20					500	3.000	14,5 - 16,5			01019004020	
		25					250	1.500	16,5 - 21,5			01019004025
	4,8	6	4,90	9,50	1,50	2,65	500	3.000	0,5 - 3,0	1850	2600	01019004806
8						500	3.000	3,0 - 4,5			01019004808	
10						500	3.000	4,5 - 6,0			01019004810	
12						500	3.000	6,0 - 8,0			01019004812	
14						250	2.000	8,0 - 10,0			01019004814	
16						250	2.000	10,0 - 12,0			01019004816	
18						250	2.000	12,0 - 14,0			01019004818	
21						250	1.500	14,0 - 17,0			01019004821	
24						200	1.200	17,0 - 20,0			01019004824	
30						200	1.200	23,0 - 25,0			01019004830	
35						150	900	25,0 - 30,0			01019004835	
		40					150	900	30,0 - 35,0			01019004840
5,0		8	5,10	9,50	1,60	2,65	500	3.000	3,0 - 4,5	2150	3000	01019005008
		10					500	3.000	4,5 - 6,0			01019005010
	12					500	3.000	6,0 - 8,0			01019005012	
	14					250	2.000	8,0 - 10,0			01019005014	
	16					250	2.000	10,0 - 12,0			01019005016	
	18					250	1.500	12,0 - 14,0			01019005018	
	20					250	1.500	14,0 - 16,0			01019005020	
	25					200	1.200	16,0 - 21,0			01019005025	
	30					200	1.200	21,0 - 25,0			01019005030	
	35					150	900	25,0 - 30,0			01019005035	
		40					150	900	30,0 - 35,0			01019005040
		45					100	600	35,0 - 40,0			01019005045
		50					100	600	40,0 - 45,0			01019005050
	6,0	8	6,10	12,00	1,80	3,20	250	2.000	2,0 - 3,0	3200	4600	01019006008
10						250	1.500	3,0 - 5,0			01019006010	
12						250	1.500	5,0 - 7,0			01019006012	
14						250	1.500	7,0 - 9,0			01019006014	
16						250	1.500	9,0 - 11,0			01019006016	
20						200	1.200	11,0 - 13,0			01019006020	

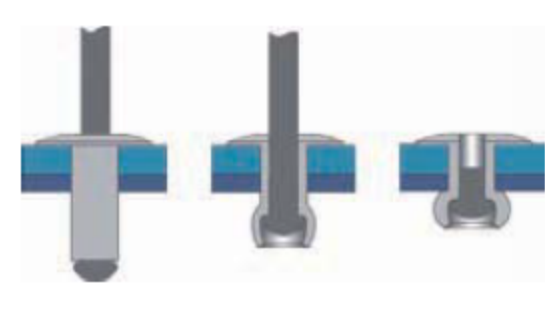
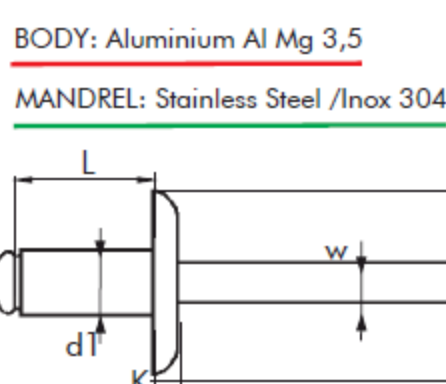
Tests according to EN ISO 14589

Note: We manufacture blind rivets aluminium/inox with countersunk head under request.

STANDARD RIVET

Large head

ALUMINIUM/STAINLESS STEEL A2



d1 Ø m/m	L Nominal mm	d2 Ø mm	K mm	W mm	PACKAGING		MIN mm	E mm	MAX. (N)	(N)	REFERENCE
					Inner	Outer					
4,0	8	4,10	12,00	1,40	2,20	500	3.000	1,5 - 5,0	1250	1800	01049004008
	10					500	3.000	5,0 - 6,5			01049004010
	12					250	2.000	6,5 - 8,5			01049004012
	14					250	2.000	8,5 - 10,5			01049004014
	16					250	2.000	10,5 - 12,5			01049004016
	18					250	2.000	12,5 - 14,5			01049004018
	20					200	2.000	14,5 - 16,5			01049004020
4,8	21	4,90	11,00	1,60	2,65	250	1.500	14,0 - 17,0	1850	2600	01038004821
4,8	10	4,90	14,00	1,80	2,65	250	1.500	3,5 - 6,0	1850	2600	01039004810
	12					250	1.500	6,0 - 8,0			01039004812
	14					250	1.500	8,0 - 10,0			01039004814
	16					250	1.500	10,0 - 12,0			01039004816
	18					200	1.200	12,0 - 14,0			01039004818
	21					200	1.200	14,0 - 17,0			01039004821
	24					150	900	17,0 - 20,0			01039004824
	27					150	900	20,0 - 23,0			01039004827
	30					150	900	23,0 - 25,0			01039004830
	35					150	600	25,0 - 30,0			01039004835
4,8	10	4,90	16,00	1,80	2,65	250	1.500	4,5 - 6,0	1850	2600	01049004810
	12					250	1.500	6,0 - 8,0			01049004812
	14					200	1.200	8,0 - 10,0			01049004814
	16					200	1.200	10,0 - 12,0			01049004816
	18					200	1.200	12,0 - 14,0			01049004818
	21					150	900	14,0 - 17,0			01049004821
	24					150	900	17,0 - 20,0			01049004824
	27					150	900	20,0 - 23,0			01049004827
	30					150	900	23,0 - 25,0			01049004830
	35					100	600	25,0 - 30,0			01049004835
5,0	8	5,10	11,00	1,60	2,65	250	2.000	3,0 - 4,5	2150	3100	01038005008
	10					250	2.000	4,5 - 6,0			01038005010
	12					250	2.000	6,0 - 8,0			01038005012
	14					250	1.500	8,0 - 10,0			01038005014
	16					250	1.500	10,0 - 12,0			01038005016
	18					250	1.500	12,0 - 14,0			01038005018
	20					250	1.500	14,0 - 16,0			01038005020
	25					250	1.500	16,0 - 21,0			01038005025
	30					200	1.200	21,0 - 25,0			01038005030
	5,0	8	5,10	14,00	1,80	2,65	250	1.500	3,0 - 4,5	2150	3100
10						250	1.500	4,5 - 6,0			01039005010
12						250	1.500	6,0 - 8,0			01039005012
14						250	1.500	8,0 - 10,0			01039005014
16						250	1.500	10,0 - 12,0			01039005016
18						200	1.200	12,0 - 14,0			01039005018
20						200	1.200	14,0 - 16,0			01039005020
25						150	900	16,0 - 21,0			01039005025
30						150	900	21,0 - 25,0			01039005030

Tests according to EN ISO 14589

ALUMINIUM/STAINLESS STEEL A2

STANDARD RIVET COLOUR
Dome head

d1 Ø m/m	L Nominal m/m	PACKAGING		PAINTED COLOURS REFERENCE
		Inner	Outer	
3,2	6	500	4.000	01019 3206
	8	500	4.000	01019 3208
	10	500	4.000	01019 3210
	12	500	4.000	01019 3212
	15	500	4.000	01019 3215
	18	500	4.000	01019 3218
	20	500	4.000	01019 3220
4,0	6	500	4.000	01019 4006
	8	500	4.000	01019 4008
	10	500	4.000	01019 4010
	12	500	3.000	01019 4012
	14	500	3.000	01019 4014
	16	500	3.000	01019 4016
	1			